

4.8M x 4.8M Standard Decking Kit

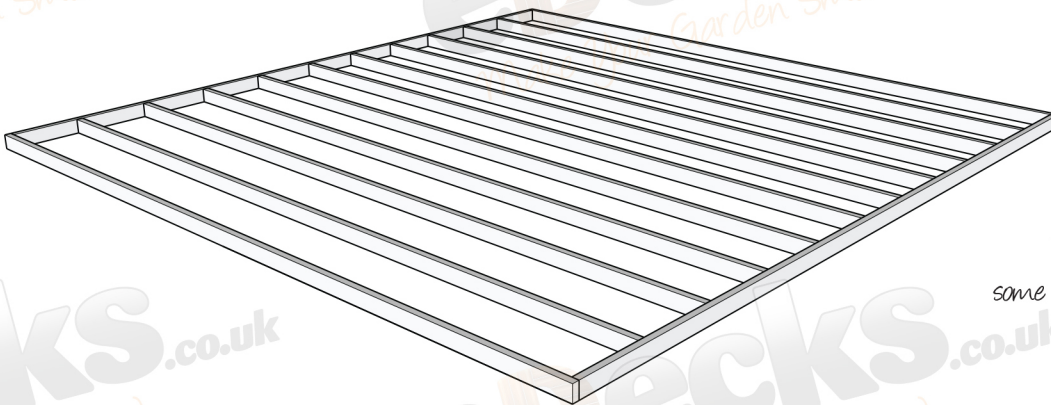


Step 1

LAY YOUR FRAME

This is an example of a decking frame

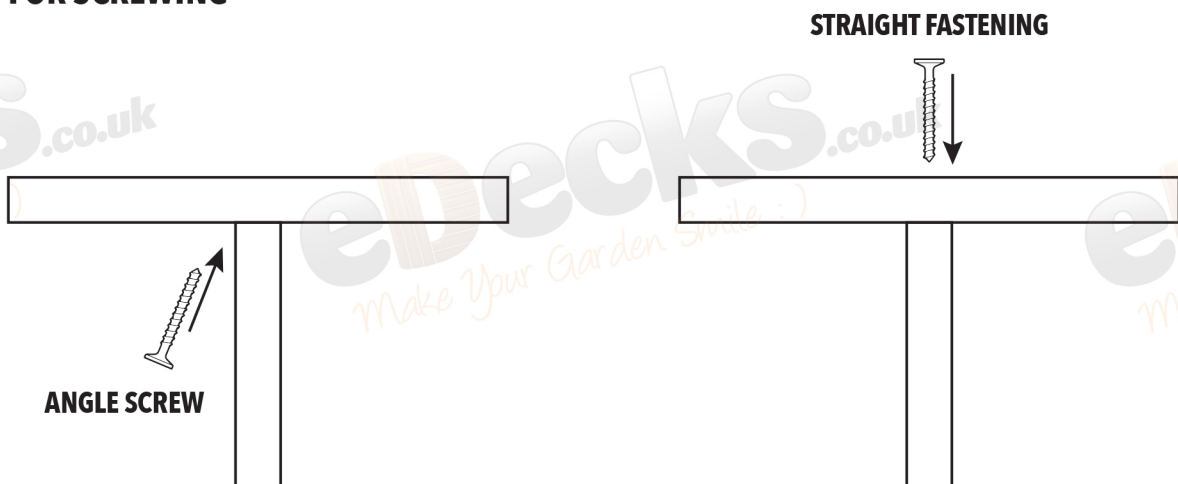
**FRAME TO BE LAID ONTO
PAVING SLABS, OR ONTO
GRASS OR SOIL**



This may require
some cutting to fit your size
requirements

Using the decking joists provided in the Kit (3 1/2" x 1 1/2") build the perimeter first then evenly spread the remaining decking joists inside as shown in the example above
Using the 4" x 10g joist screws from the fixing kit

METHOD FOR SCREWING



Please make sure the frame fits the requirements for your chosen kit.
Don't forget to check your work with a level as you go!

4.8M x 4.8M Standard Decking Kit



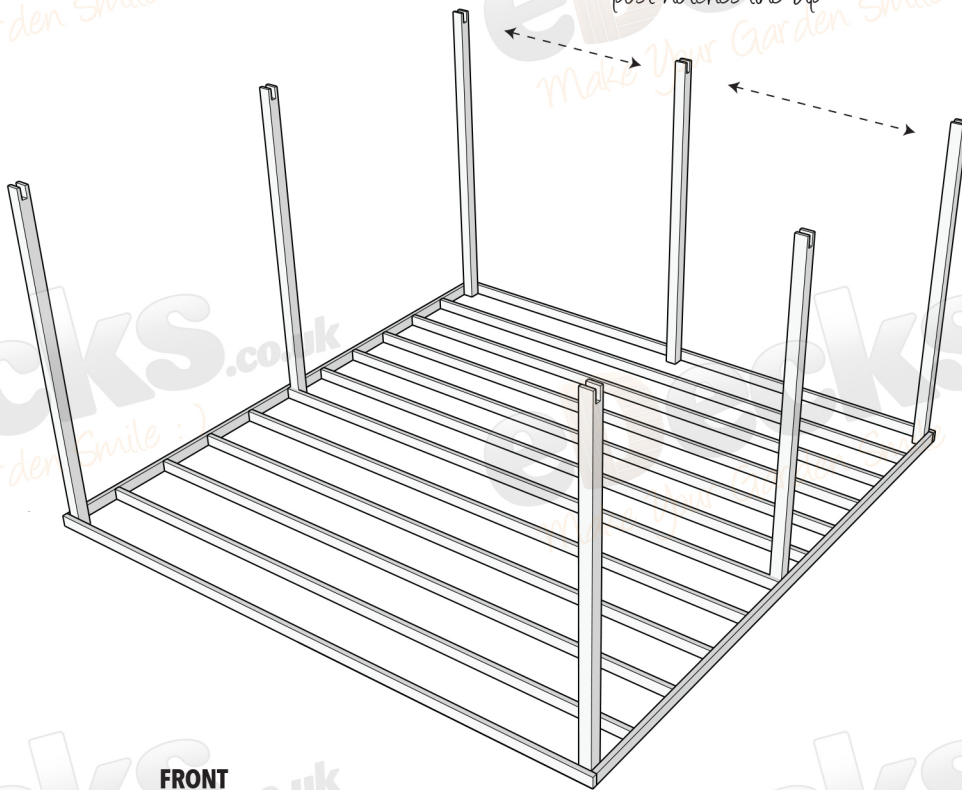
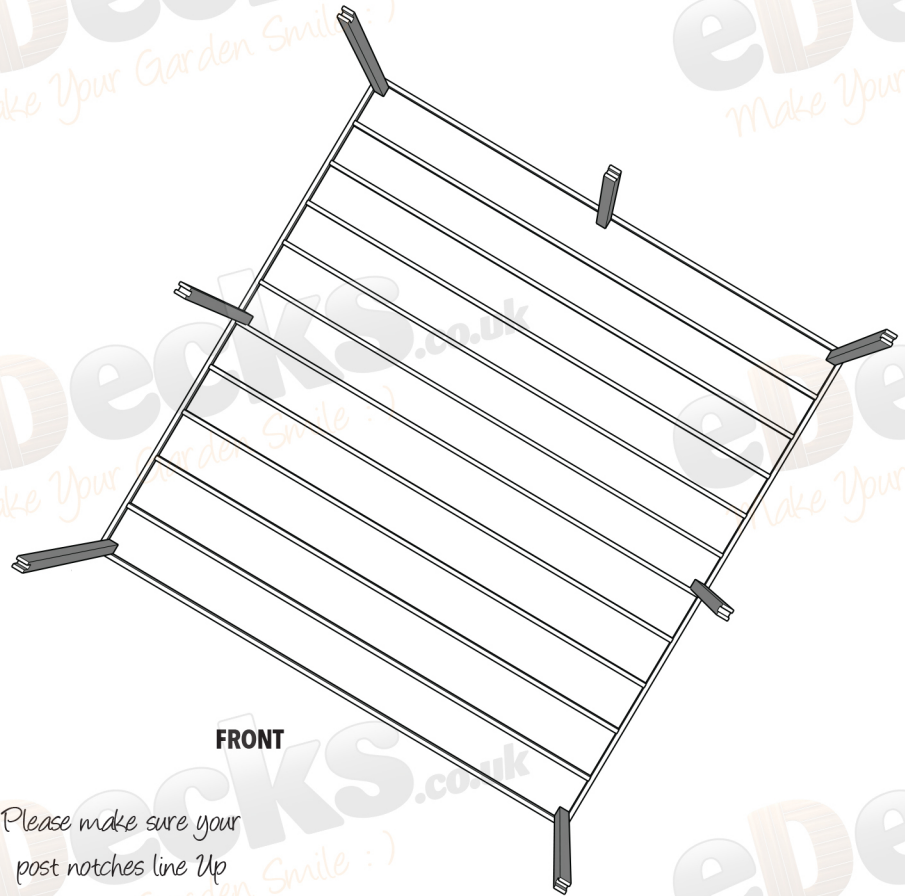
Step 2

FITTING THE PERGOLA POSTS

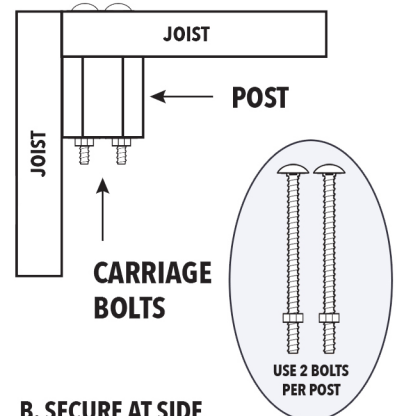
You are supplied with pergola posts. Accounting for the post sitting flush with the bottom of the base please select how high you would like the pergola posts, please cut accordingly.

Each Pergola Post needs securing in each corner and depending on the size of the kit posts may need fitting in between.

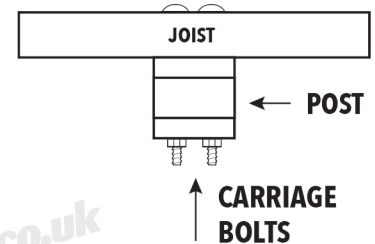
Install posts and newels so your kit begins to look like the below...



A. SECURE AT CORNER



B. SECURE AT SIDE



Don't forget to check your work with a level as you go!

All images are for illustration only, Please see individual item listings for actual item specifications

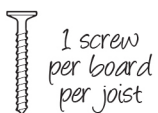
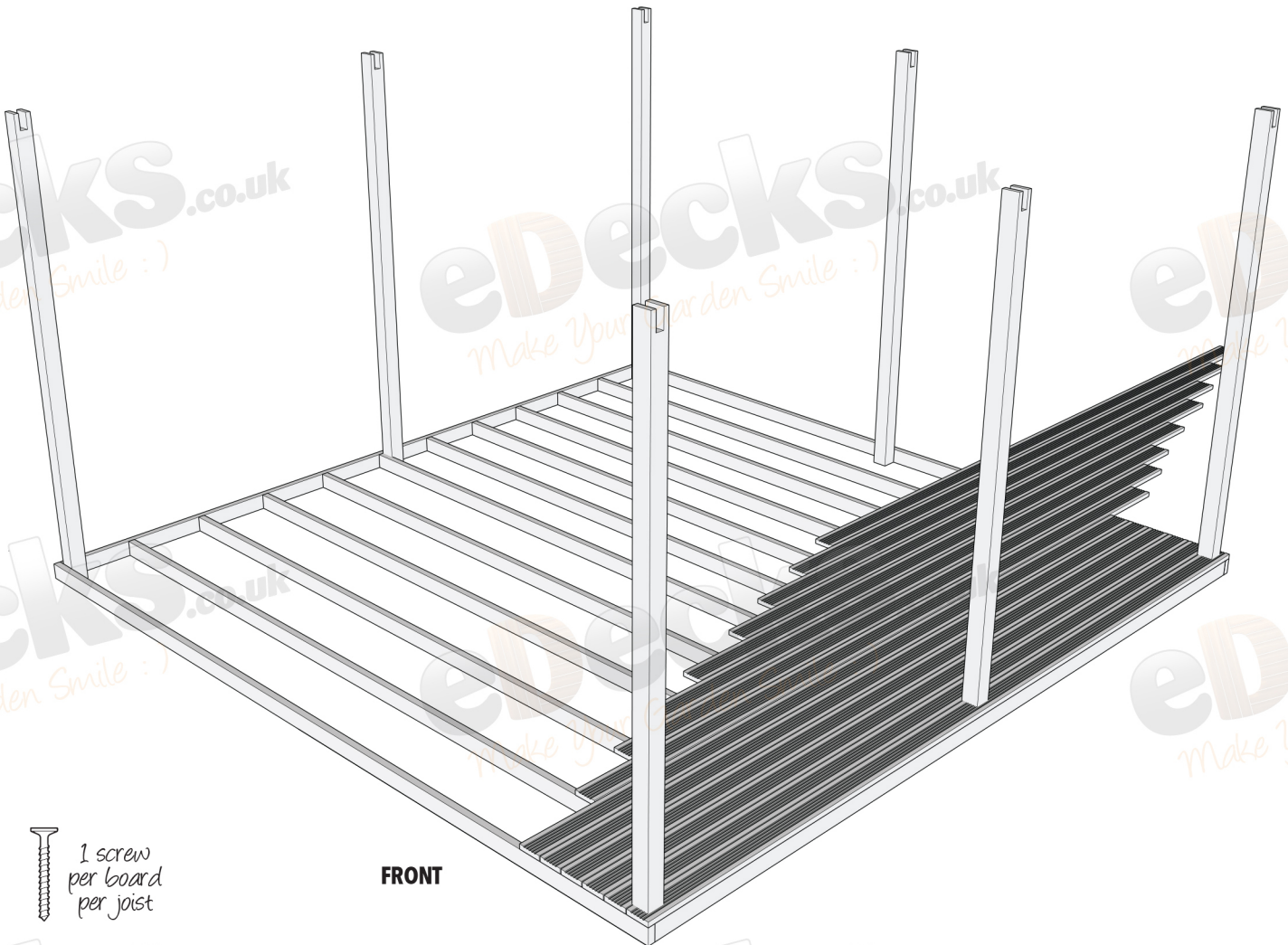
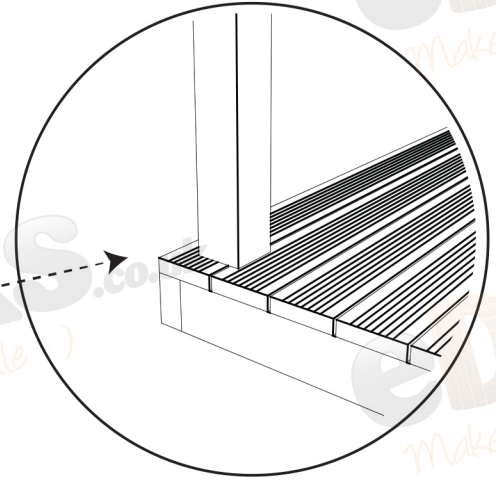


Step 3

INSTALL DECKING BOARDS

Decking boards should fit exactly to the frame, working in the opposite direction to the joist work, when laying the boards make sure you leave a 5mm gap between each board

Cutting will be required around the Posts

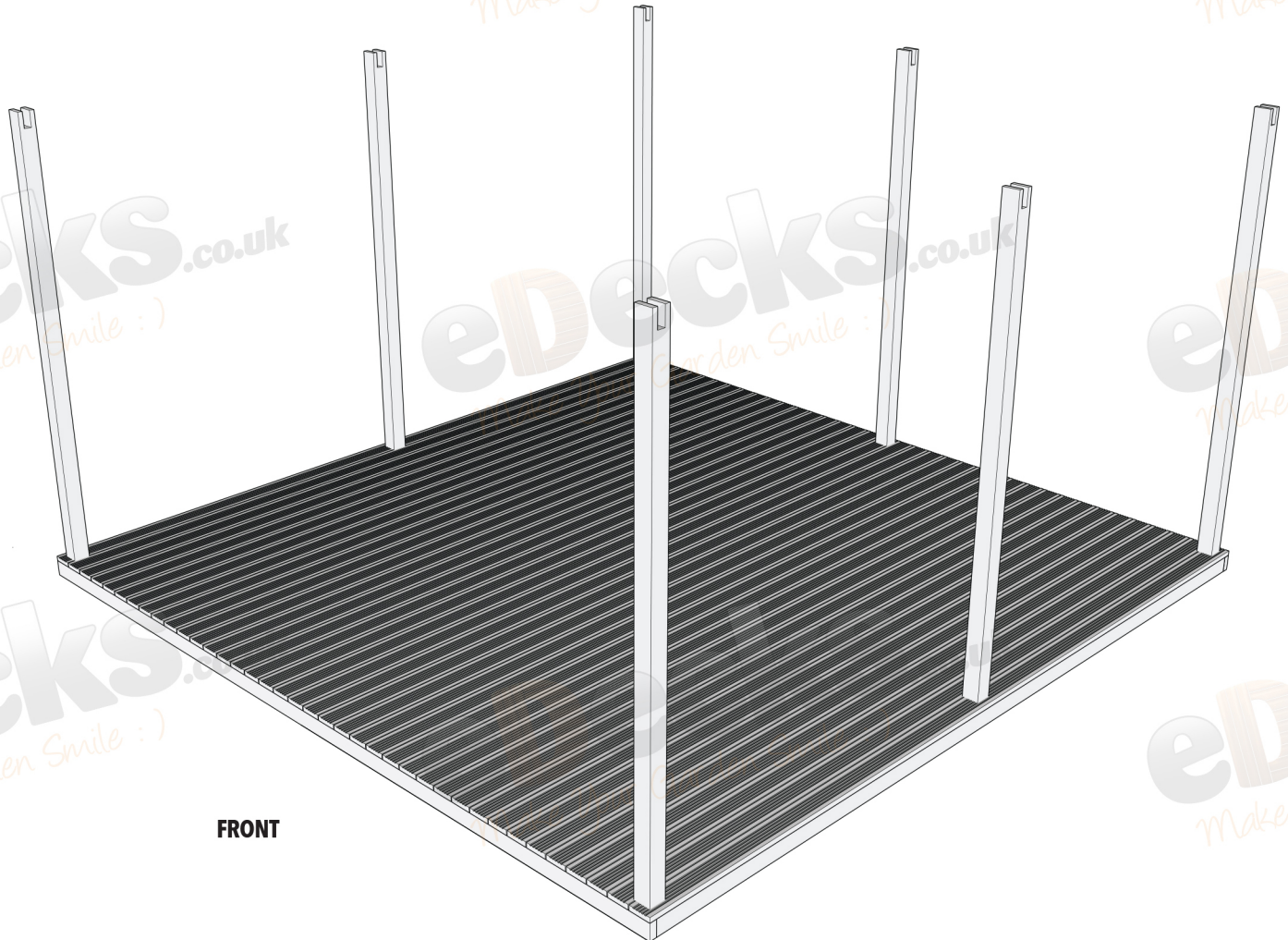


Don't forget to check your work with a level as you go!



Step 3 cont'd

INSTALL DECKING BOARDS



FRONT

Don't forget to check your work with a level as you go!

Page 4 of 8

All images are for illustration only, Please see individual item listings for actual item specifications

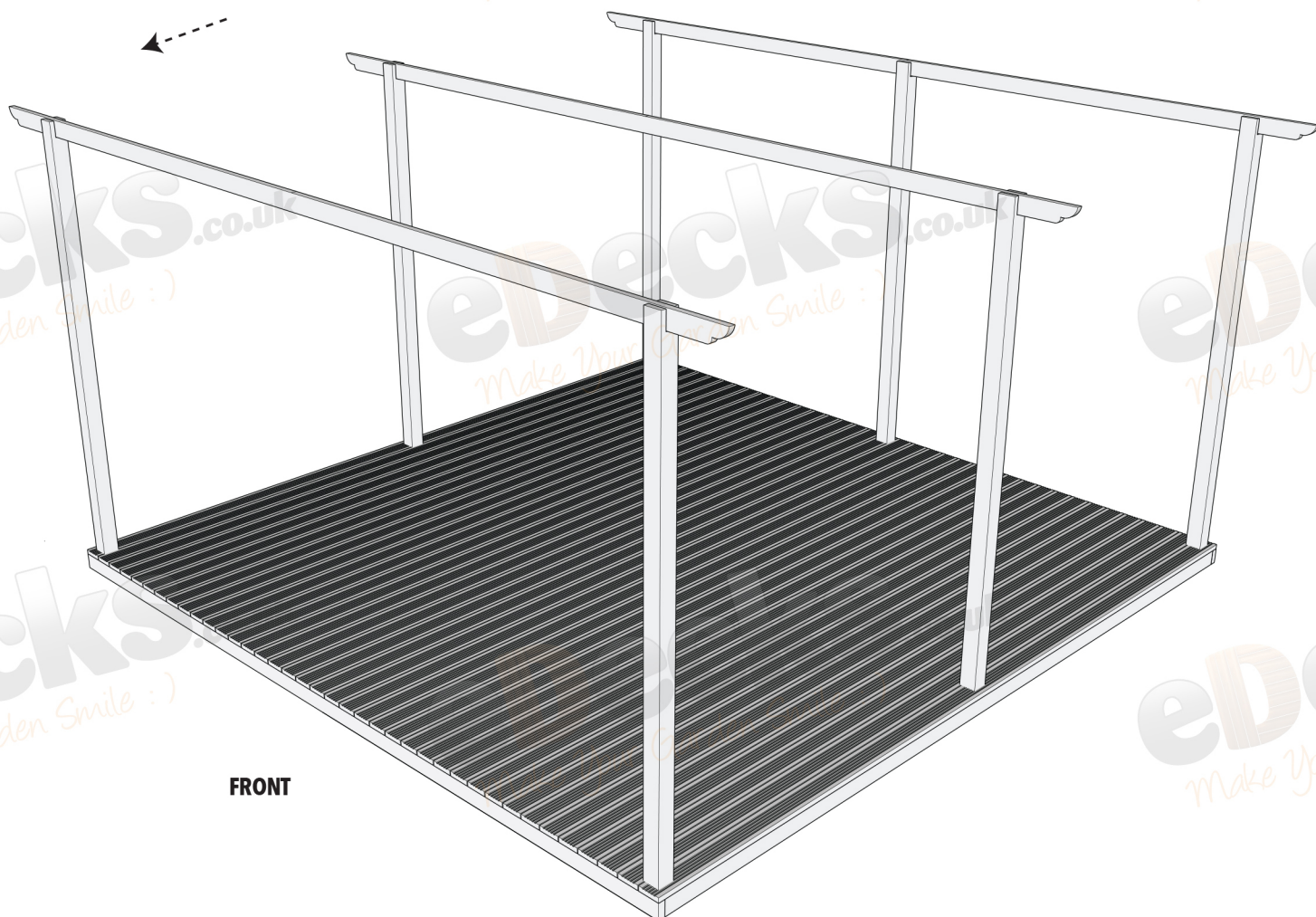
4.8M x 4.8M Standard Decking Kit



Step 4

INSTALL SUPPORT RAFTERS

First secure the 3 supporting rafters to the posts.



Don't forget to check your work with a level as you go!

Page 5 of 8

All images are for illustration only, Please see individual item listings for actual item specifications

4.8M x 4.8M Standard Decking Kit



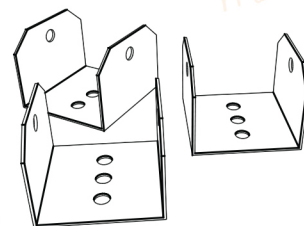
Step 5

INSTALL RAFTERS

Space the remainder of the rafters across the top of the support rafters



Using the Pergola Clips provided with your kit to secure



Don't forget to check your work with a level as you go!

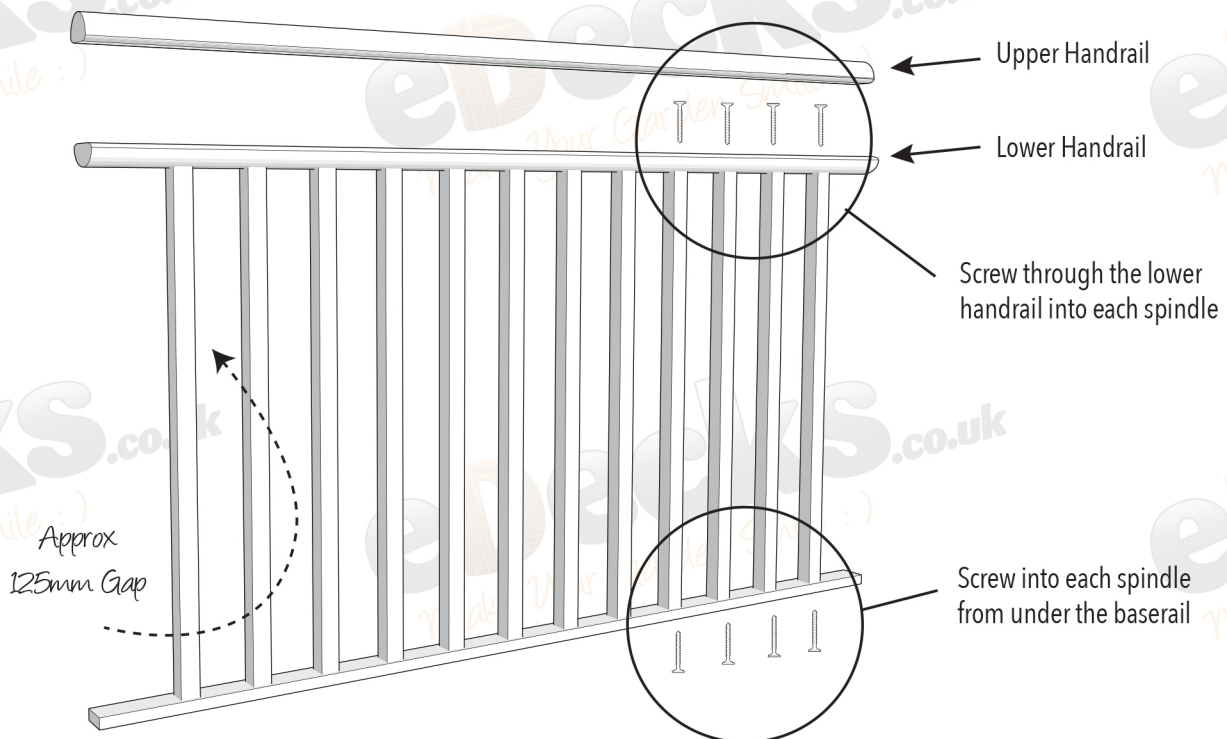
Page 6 of 8

All images are for illustration only. Please see individual item listings for actual item specifications

Step 6

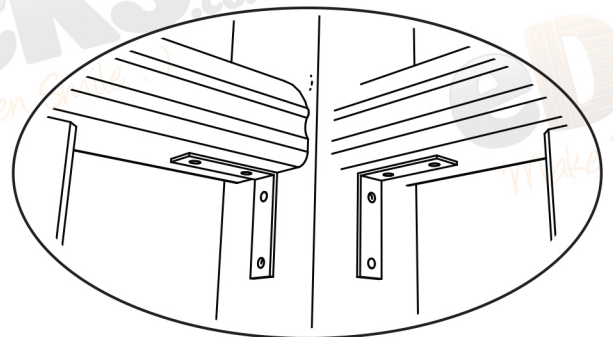
HANDRAIL SYSTEM

If your kit option has handrails please assemble these prior to attaching to your the pergola posts.
To fix the spindles you should screw into each spindle from under the baserail and through the top of the lower handrail, space the spindles so they are evenly spaced with approx 125mm gap between each.



Then complete the handrail section by fixing the upper part of the handrail to the lower part of the handrail.

Do this by screwing up through the underside of the lower handrail into the top part of the handrail



Once your handrail sections are complete - using angle brackets please proceed to install to the kit

Don't forget to check your work with a level as you go!

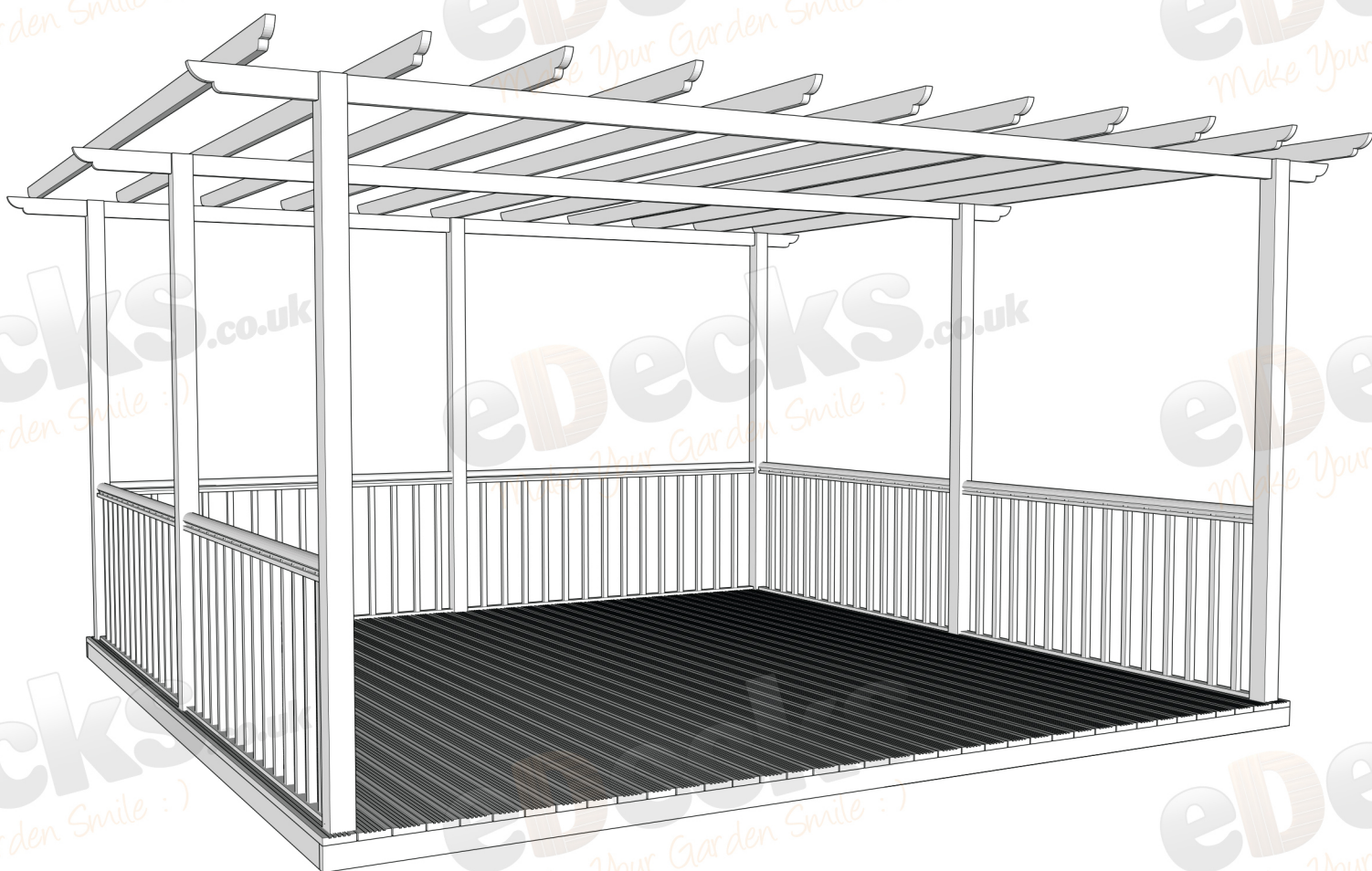
Page 7 of 8

4.8M x 4.8M Standard Decking Kit



Step 7

FINISH!



Once this is complete - Sit back and enjoy!

Page 8 of 8

All images are for illustration only, Please see individual item listings for actual item specifications